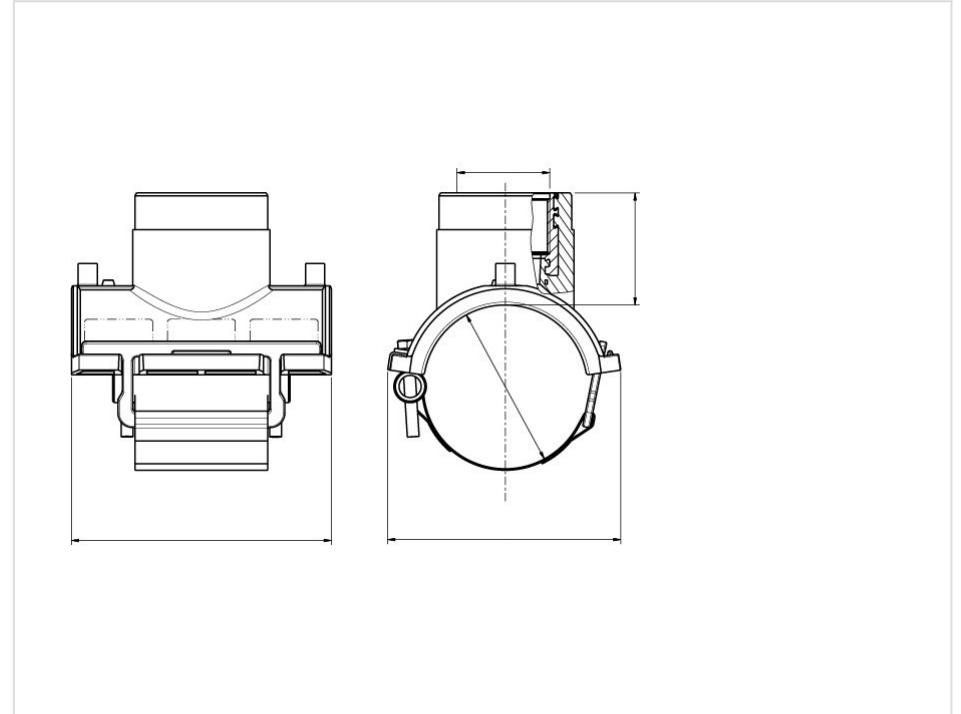


# DIPS TRANSITION SADDLE - 5938D

#5938D



## Family Products

Product Code	d	G	B	H	L	Gas Pressure Rating	Pressure Rating Water	Weight	Unit Per Carton
5938D00304045	4"DIPS	1"NPT	6.5	1.65	6.93	125 PSI	200 PSI	1.96	12
5938D00304060	4"DIPS	1"CORP	6.5	1.65	6.93	125 PSI	200 PSI	2.36	12
5938D00304055	4"DIPS	2"NPT	6.5	1.84	6.93	125 PSI	200 PSI	2.05	20
5938D00304070	4"DIPS	2"CORP	6.5	1.84	6.93	125 PSI	200 PSI	2.58	12
5938D00306070	6"DIPS	2"CORP	6.96	1.84	6.93	125 PSI	200 PSI	2.6	10
5938D00306045	6"DIPS	1"NPT	6.96	1.65	6.93	125 PSI	200 PSI	2.01	10
5938D00306060	6"DIPS	1"CORP	6.96	1.65	6.93	125 PSI	200 PSI	2.36	10
5938D00306055	6"DIPS	2"NPT	6.96	1.84	6.93	125 PSI	200 PSI	2.05	24
5938D00308045	8"DIPS	1"NPT	7.08	1.65	6.93	125 PSI	200 PSI	2.01	10
5938D00308060	8"DIPS	1"CORP	7.08	1.65	6.93	125 PSI	200 PSI	2.43	10
5938D00308055	8"DIPS	2"NPT	7.08	1.84	6.93	125 PSI	200 PSI	2.12	24
5938D00308070	8"DIPS	2"CORP	7.08	1.84	6.93	125 PSI	200 PSI	2.6	10
5938D00310045	10"DIPS	1"NPT	7.1	1.65	6.93	125 PSI	200 PSI	-	10

<b>Product Code</b>	<b>d</b>	<b>G</b>	<b>B</b>	<b>H</b>	<b>L</b>	<b>Gas Pressure Rating</b>	<b>Pressure Rating Water</b>	<b>Weight</b>	<b>Unit Per Carton</b>
5938D00310060	10"DIPS	1"CORP	7.1	1.65	6.93	125 PSI	200 PSI	2.45	10
5938D00310055	10"DIPS	2"NPT	7.1	1.84	6.93	125 PSI	200 PSI	2.18	10
5938D00310070	10"DIPS	2"CORP	7.1	1.84	6.93	125 PSI	200 PSI	2.67	10
5938D00312045	12"DIPS	1"NPT	7.67	1.84	6.93	125 PSI	200 PSI	2.12	10
5938D00312060	12"DIPS	1"CORP	7.67	1.84	6.93	125 PSI	200 PSI	2.62	20
5938D00312055	12"DIPS	2"NPT	7.67	1.84	6.93	125 PSI	200 PSI	2.23	10
5938D00312070	12"DIPS	2"CORP	7.67	1.84	6.93	125 PSI	200 PSI	2.69	10