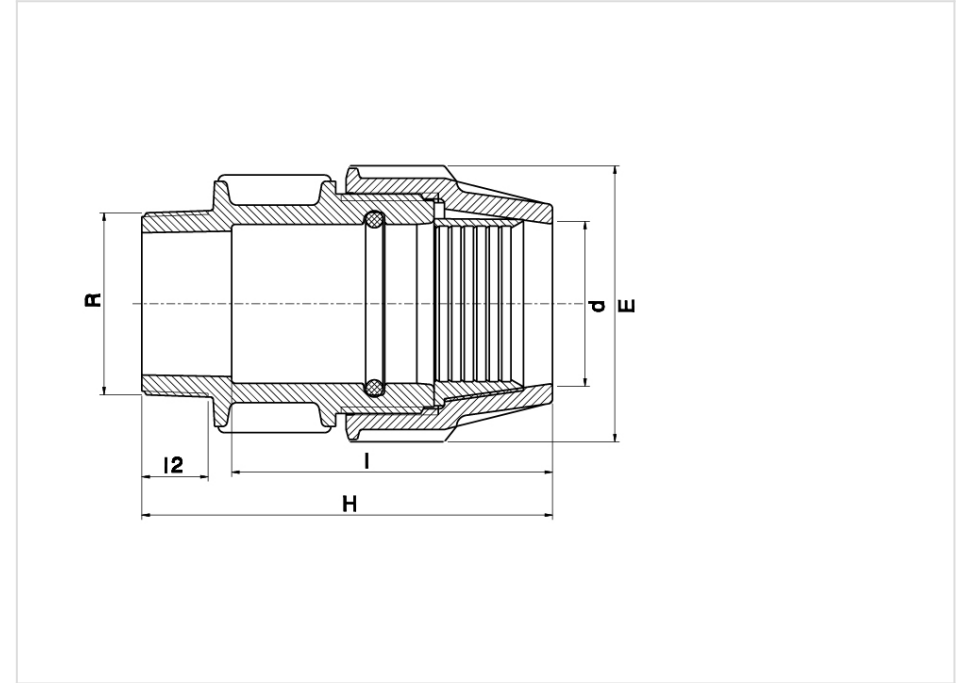


MALE ADAPTOR - 0702M0T

#0702M0T



Body Material: Polypropylene, high-grade copolymer

Nut Material: Polypropylene, high-grade copolymer;

Split Ring Material: Polyacetal

Seal Material: NBR

Family Products

Product Code	d _{inch}	R _{inch}	E _{inch}	H _{inch}	l _{inch}	l2 _{inch}	Pressure Rating Water _{inch}	Weight _{pound}	Unit Per Bag _{inch}	Unit Per Carton _{inch}
0702M0T10010	1"	1"	2.52	4.17	3.23	0.79	230 PSI	0.27	5	150
0702M0T13010	1.25"	1"	3.23	4.49	3.39	0.79	230 PSI	0.42	-	110
0702M0T13013	1.25"	1 1/4"	3.23	4.57	3.46	0.87	230 PSI	0.42	-	110
0702M0T13015	1.25"	1 1/2"	3.23	4.69	3.58	0.87	230 PSI	0.44	-	100
0702M0T15013	1.5"	1 1/4"	3.78	5.2	4.45	0.87	230 PSI	0.58	-	70
0702M0T15015	1.5"	1 1/2"	3.78	5.31	4.21	0.87	230 PSI	0.61	-	70
0702M0T15020	1.5"	2"	3.78	5.47	4.21	1.02	230 PSI	0.62	-	65
0702M0T20015	2"	1 1/2"	4.45	5.98	4.88	0.87	230 PSI	1.04	-	48
0702M0T20020	2"	2"	4.45	6.57	5.28	1.02	230 PSI	1.02	-	48