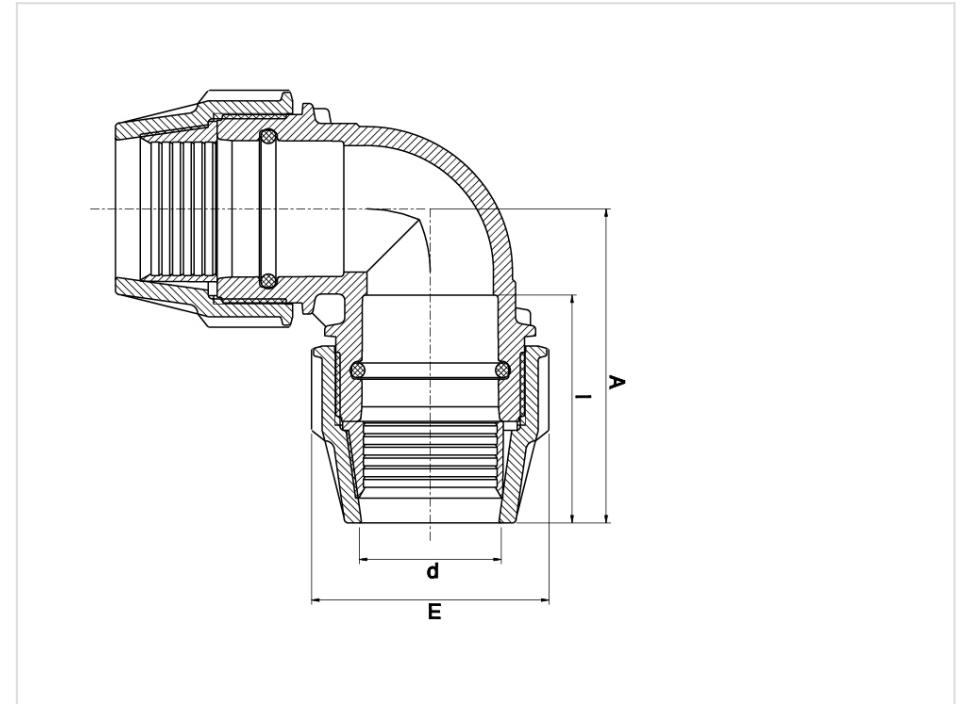


# 90° ELBOW - 0705M0

#0705M0



**Body Material:** Polypropylene, high-grade copolymer

**Nut Material:** Polypropylene, high-grade copolymer;

**Split Ring Material:** Polyacetal

**Seal Material:** NBR

## Family Products

| Product Code | d <sub>inch</sub> | A <sub>inch</sub> | E <sub>inch</sub> | l <sub>inch</sub> | Pressure Rating Water <sub>inch</sub> | Weight <sub>pound</sub> | Unit Per Bag <sub>inch</sub> | Unit Per Carton <sub>inch</sub> |
|--------------|-------------------|-------------------|-------------------|-------------------|---------------------------------------|-------------------------|------------------------------|---------------------------------|
| 0705M0005    | 0.5"              | 2.87              | 1.89              | 2.13              | 230 PSI                               | 0.22                    | 10                           | 200                             |
| 0705M0007    | 0.75"             | 2.99              | 2.13              | 2.24              | 230 PSI                               | 0.28                    | 10                           | 150                             |
| 0705M0010    | 1"                | 3.62              | 2.52              | 2.6               | 230 PSI                               | 0.45                    | 5                            | 100                             |
| 0705M0013    | 1.25"             | 4.29              | 3.23              | 3.27              | 230 PSI                               | 0.78                    | -                            | 60                              |
| 0705M0015    | 1.5"              | 4.84              | 3.78              | 3.66              | 230 PSI                               | 1.13                    | -                            | 35                              |
| 0705M0020    | 2"                | 5.94              | 4.45              | 4.33              | 230 PSI                               | 1.75                    | -                            | 24                              |
| 0705M0030    | 3"                | 8.58              | 5.98              | 6.41              | 200 PSI                               | 4.9                     | -                            | 8                               |
| 0705M0040    | 4"                | 11.57             | 7.13              | 7.72              | 200 PSI                               | 7.84                    | -                            | 4                               |