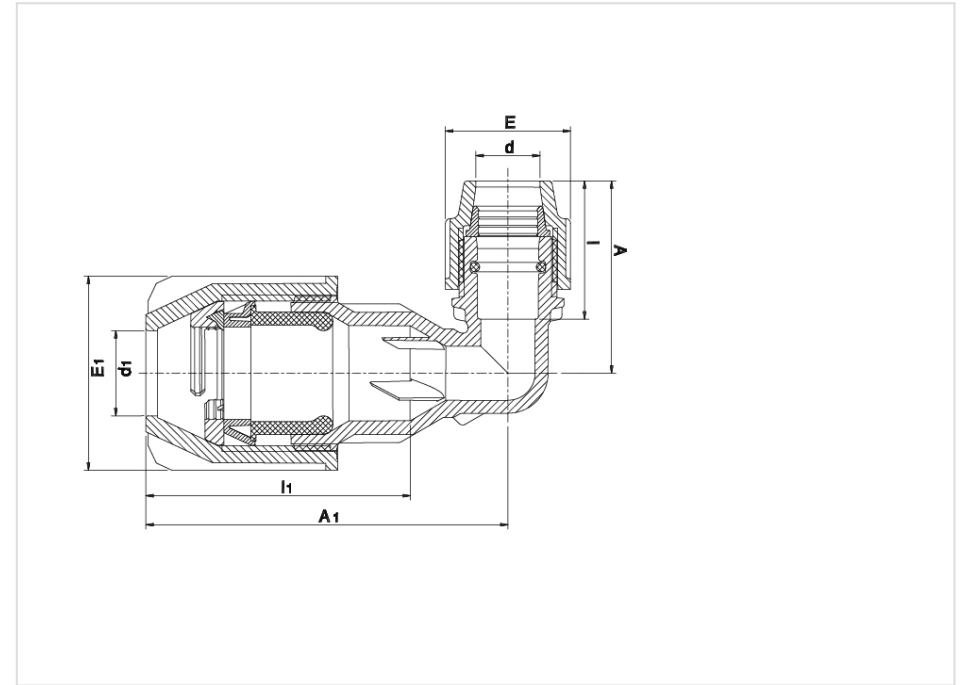


PLASS4 90° (UNIVERSAL) ELBOW - 070570M0

#070570M0



Body Material: Polypropylene, high-grade copolymer

Nut Material: Polypropylene, high-grade copolymer;

Split Ring Material: Polyacetal

Seal Material: NBR

Family Products

Product Code	d _{inch}	d _{1inch}	A _{inch}	A _{1inch}	E _{inch}	E _{1inch}	l _{inch}	l _{1inch}	Pressure Rating Water _{inch}	Weight _{pound}	Unit Per Bag _{inch}	Unit Per Carton _{inch}
070570M07022	0.75"	0.59"-0.87"*	0.51	5.04	2.13	2.52	2.36	4.13	230 PSI	0.4	1	90
070570M07027	0.75"	0.79"-1.06"*	3.27	5.47	2.13	2.8	2.36	4.13	230 PSI	0.49	1	80
070570M07035	0.75"	1.06"-1.38"*	3.27	6.02	2.13	3.27	2.36	4.41	230 PSI	0.64	1	60