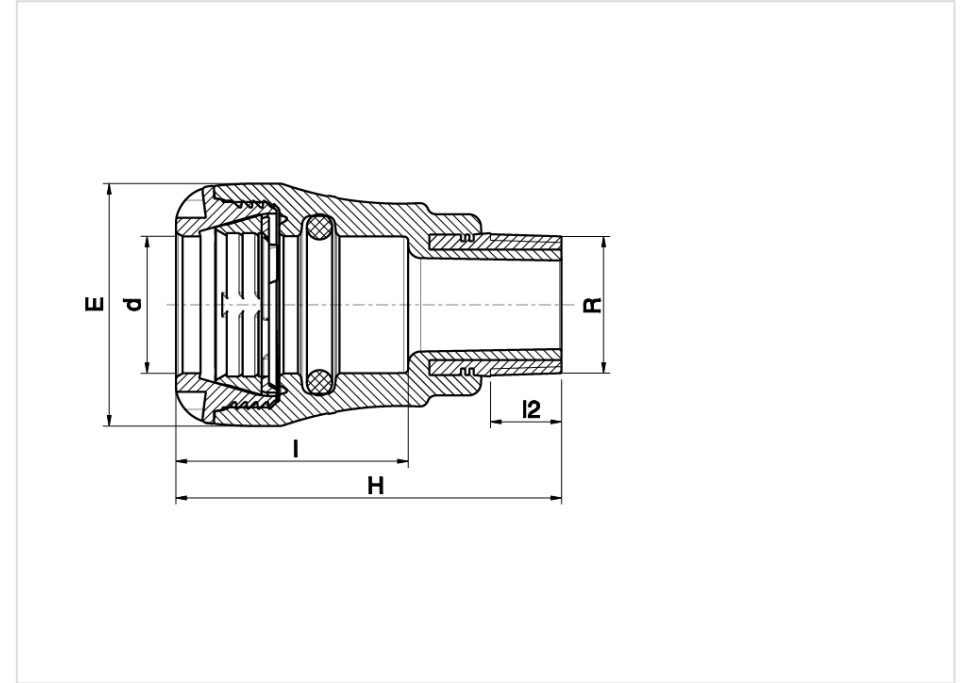


MALE ADAPTOR - CTS - 1002Z

#1002Z



Body Material: Polypropylene, high-grade copolymer

Nut Material: Polypropylene, high-grade copolymer;

Split Ring Material: Polyacetal

Seal Material: NBR

Family Products

Product Code	d _{inch}	R _{inch}	E _{inch}	H _{inch}	l _{inch}	l2 _{inch}	Pressure Rating Water _{inch}	Weight _{pound}	Unit Per Bag _{inch}	Unit Per Carton _{inch}
1002Z0007007	0.75"	3/4"	1.85	2.99	1.89	0.67	230 PSI	0.11	5	280
1002Z0010007	1"	3/4"	2.28	3.23	2.13	0.67	230 PSI	0.18	5	200
1002Z0010010	1"	1"	2.28	3.31	2.13	0.75	230 PSI	0.2	5	200