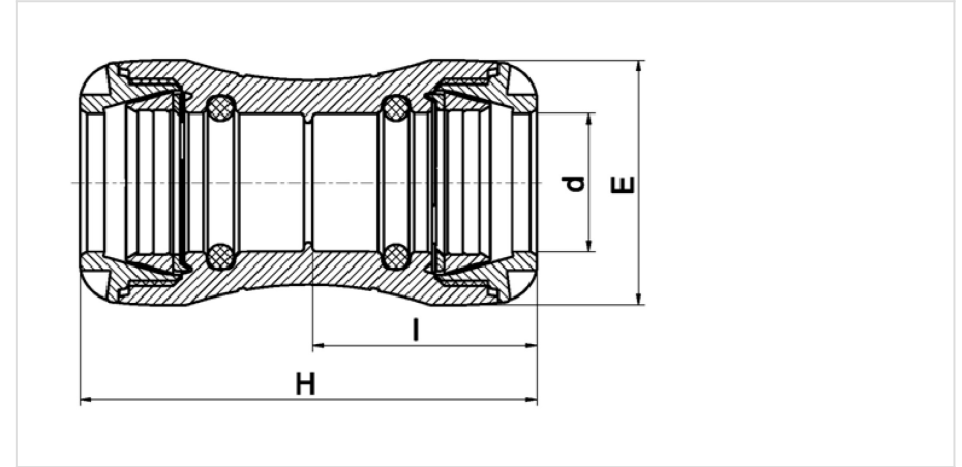


COUPLER - CTS - 1001Z

#1001Z



Body Material: Polypropylene, high-grade copolymer

Nut Material: Polypropylene, high-grade copolymer;

Split Ring Material: Polyacetal

Seal Material: NBR

Family Products

Product Code	d _{inch}	E _{inch}	H _{inch}	l _{inch}	Pressure Rating Water _{inch}	Weight _{pound}	Unit Per Bag _{inch}	Unit Per Carton _{inch}
1001Z0007	¾"	1.85	3.85	1.89	230 PSI	0.18	5	200
1001Z0010	1"	2.28	4.25	2.12	230 PSI	0.29	5	120